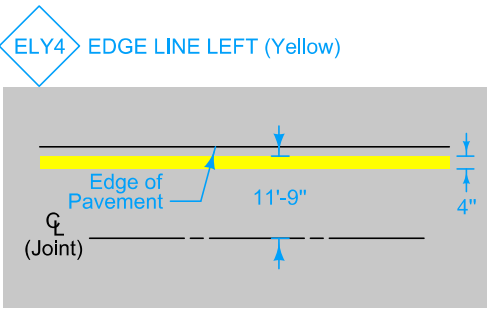
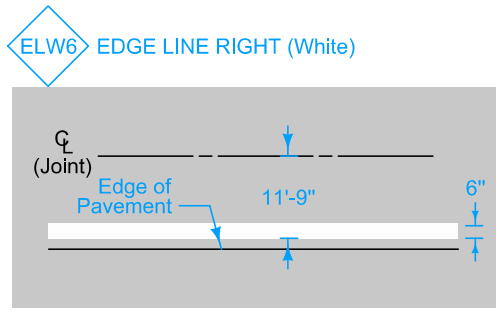
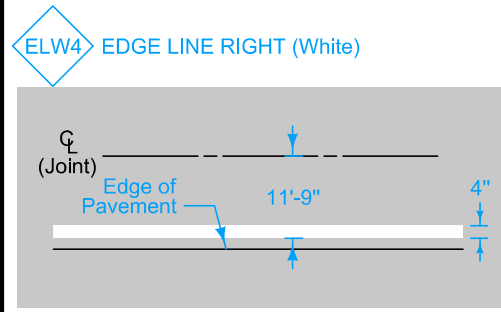
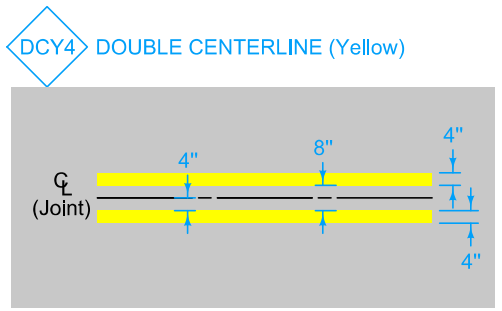
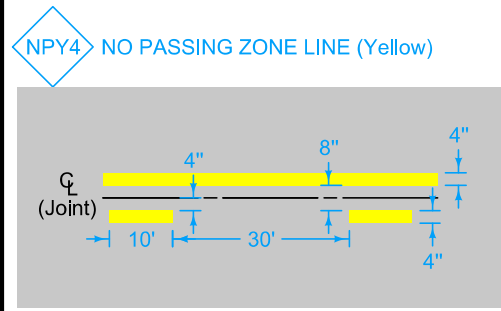
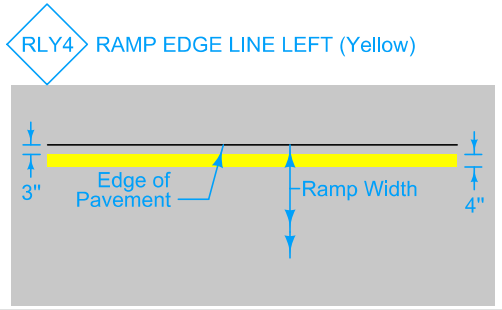
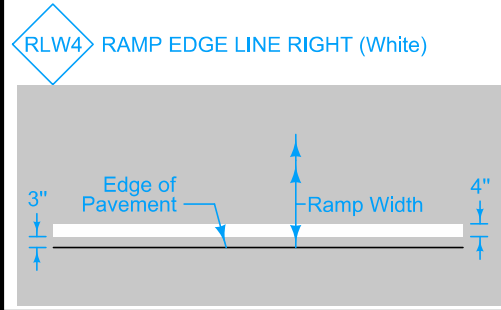


Lane layouts shown are typical.
Centerlines and lane lines may be painted either side of centerline.
Drawings on sheets 1 and 2 are oriented to represent direction of traffic moving from left to right.

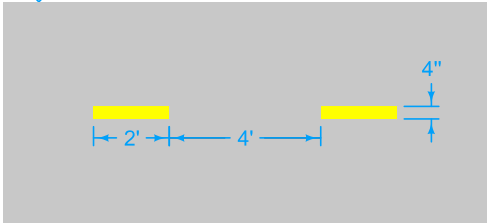


Possible Contract Item:
Pavement Marking Line Items
Possible Tabulation:
108-22

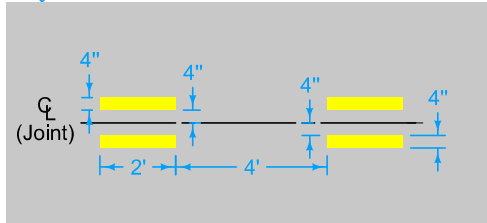


 STANDARD ROAD PLAN	REVISION		
	<table border="1" style="width: 100%; border-collapse: collapse;"> <tr> <td style="width: 50%; text-align: center;">2</td> <td style="width: 50%; text-align: center;">10-16-18</td> </tr> </table>	2	10-16-18
	2	10-16-18	
<table border="1" style="width: 100%; border-collapse: collapse;"> <tr> <td style="width: 50%; text-align: center; font-size: large;">PM-110</td> <td style="width: 50%; text-align: center; font-size: x-small;">SHEET 1 of 3</td> </tr> </table>	PM-110	SHEET 1 of 3	
PM-110	SHEET 1 of 3		
REVISIONS: Added 'ELW6' EDGE LINE RIGHT on Sheet 1. Updated DOT logo with new DOT logo.			
 APPROVED BY DESIGN METHODS ENGINEER			
LINE TYPES			

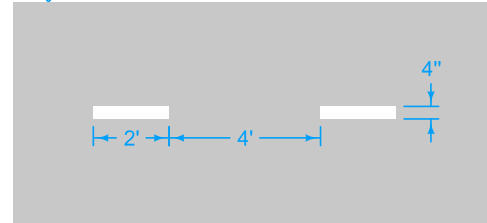
DLY4 DOTTED LINE (Yellow)



DDY4 DOUBLE DOTTED LINE (Yellow)



DLW4 DOTTED LINE (White)



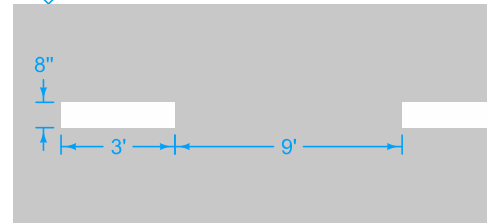
CHY8 CHANNELIZING LINE (Yellow)



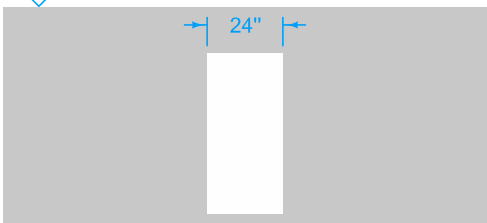
CHW8 CHANNELIZING LINE (White)



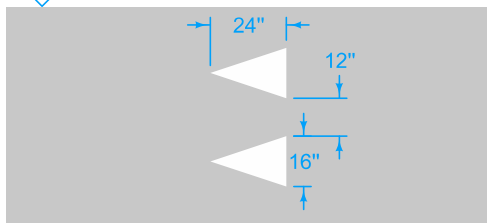
LDW8 LANE DROP (White)



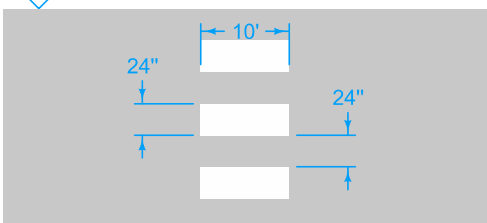
SLW2 STOP LINE (White)



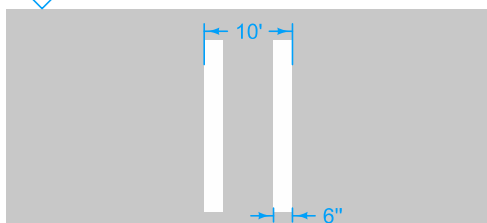
YLW2 YIELD LINE (White)



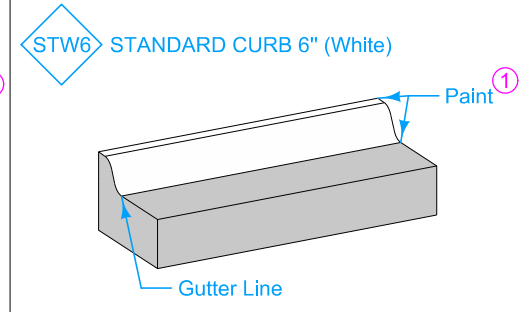
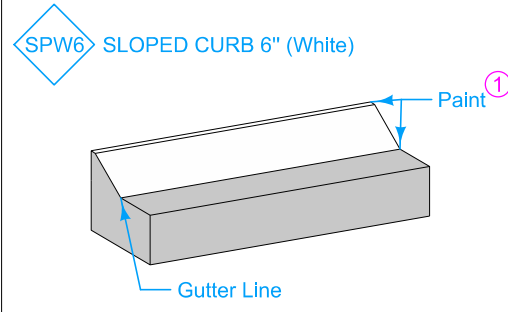
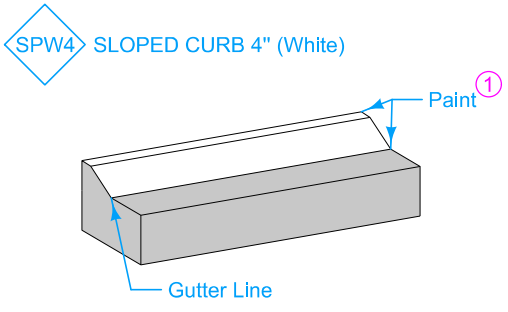
CBW6 CROSSWALK BAR (White)



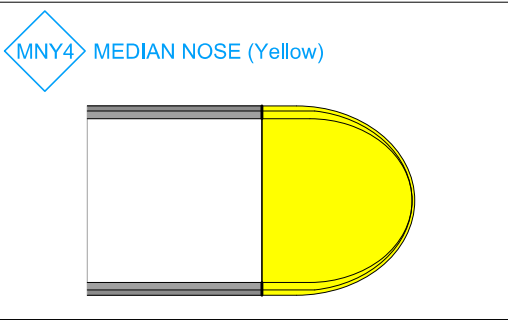
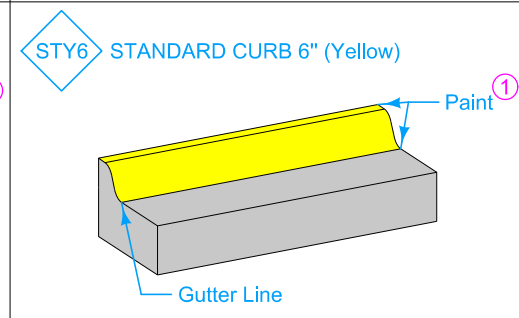
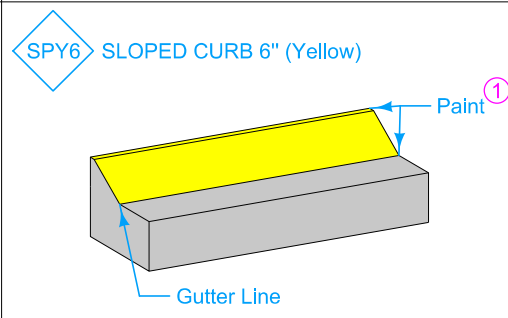
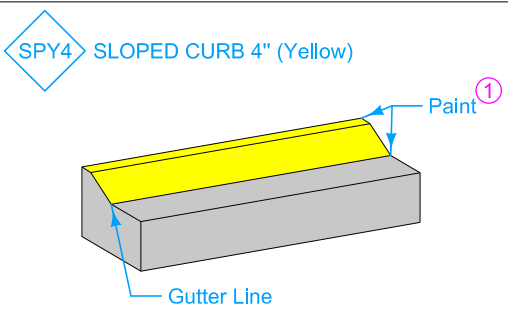
CLW6 CROSSWALK LINE (White)



	REVISION
	2 04-18-17
STANDARD ROAD PLAN	PM-110
SHEET 2 of 3	
<small>REVISIONS: Added 'ELW6' EDGE LINE RIGHT on Sheet 1. Updated DOT logo with new DOT logo.</small>	
<small>APPROVED BY DESIGN METHODS ENGINEER</small>	
LINE TYPES	



① Apply paint from back of curb to gutter line.



	REVISION
	2 04-18-17
STANDARD ROAD PLAN	PM-110
SHEET 3 of 3	
<small>REVISIONS: Added 'ELW6' EDGE LINE RIGHT on Sheet 1. Updated DOT logo with new DOT logo.</small>	
APPROVED BY DESIGN METHODS ENGINEER	

LINE TYPES