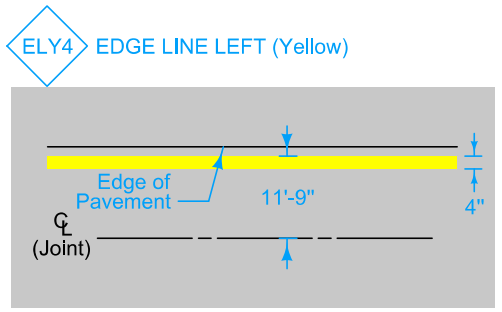
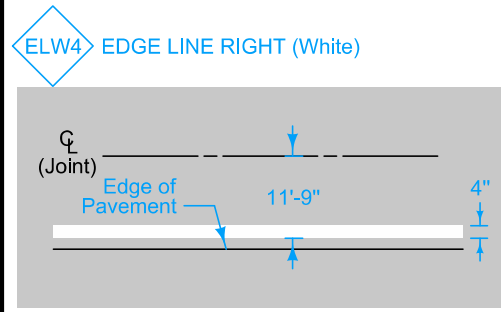
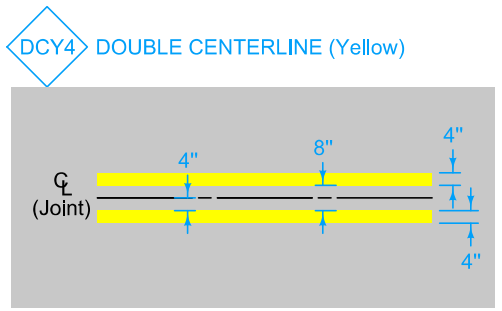
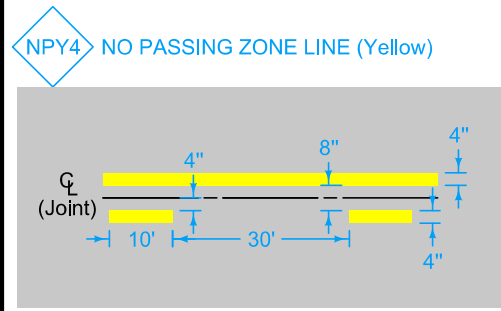
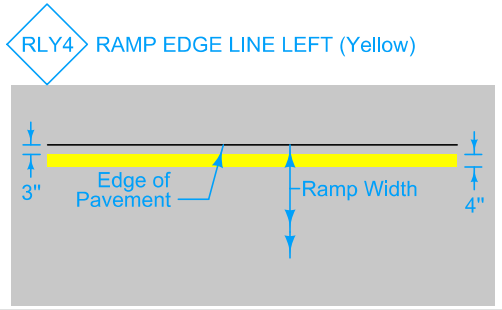
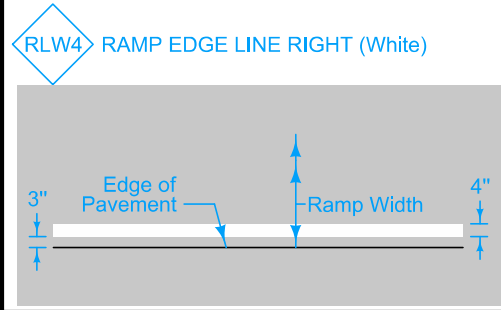


Lane layouts shown are typical.  
Centerlines and lane lines may be painted either side of centerline.  
Drawings on sheets 1 and 2 are oriented to represent direction of traffic moving from left to right.

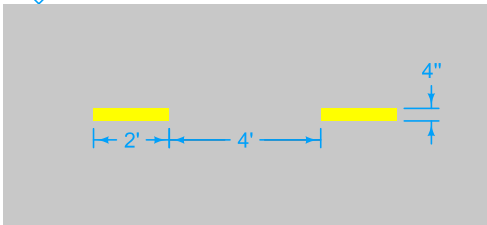


Possible Contract Item:  
Pavement Marking Line Items  
Possible Tabulation:  
**108-22**

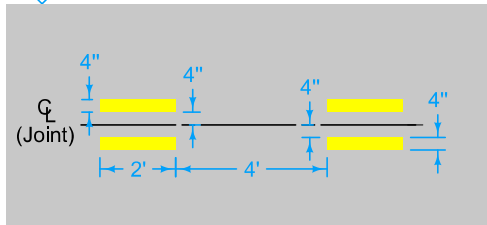


|   |               |
|---|---------------|
| <p>Iowa Department of Transportation</p>  | REVISION      |
|   | 1   04-16-13  |
| <b>STANDARD ROAD PLAN</b>   | <b>PM-110</b> |
| SHEET 1 of 3  |               |
| <small>REVISIONS: Added details for Edge Lines on ramps to page 1. Added details for Median Nose to page 3.</small> |               |
| <p>APPROVED BY DESIGN METHODS ENGINEER</p>  |               |
| <p><b>LINE TYPES</b></p>  |               |

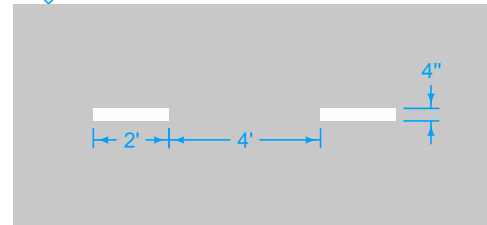
**DLY4** DOTTED LINE (Yellow)



**DDY4** DOUBLE DOTTED LINE (Yellow)



**DLW4** DOTTED LINE (White)



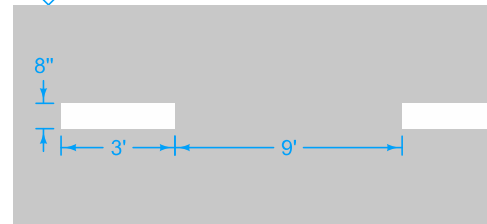
**CHY8** CHANNELIZING LINE (Yellow)



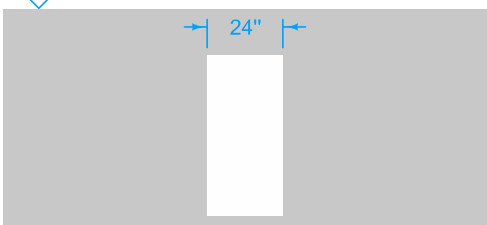
**CHW8** CHANNELIZING LINE (White)



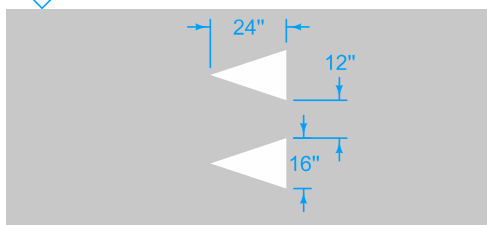
**LDW8** LANE DROP (White)



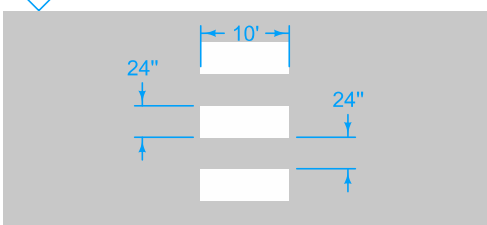
**SLW2** STOP LINE (White)



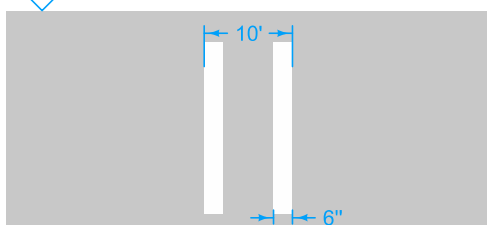
**YLW2** YIELD LINE (White)



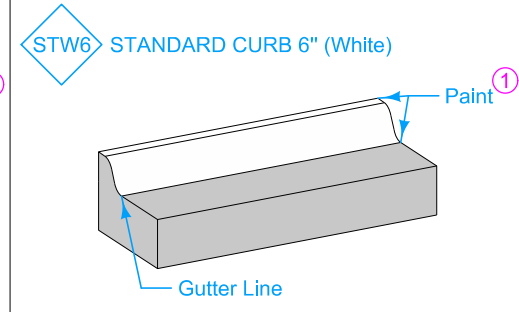
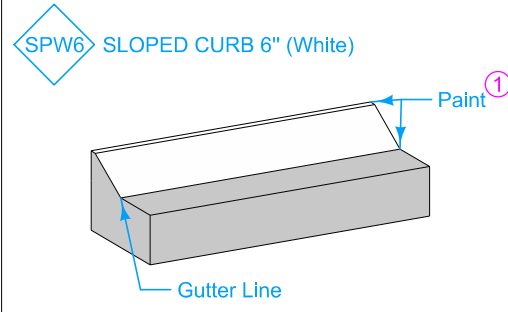
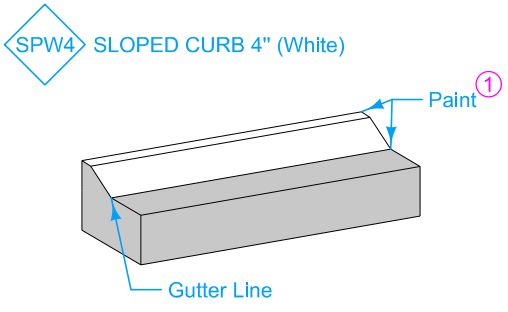
**CBW6** CROSSWALK BAR (White)



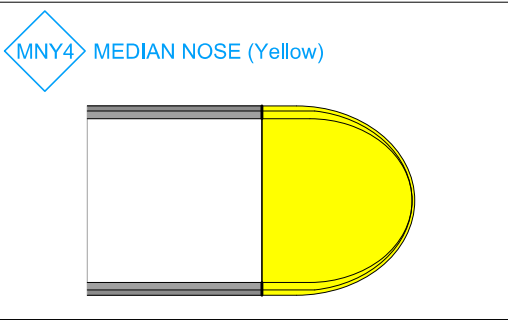
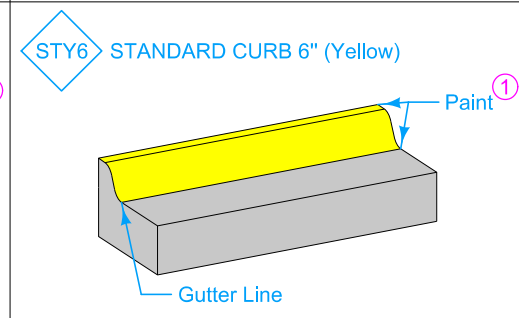
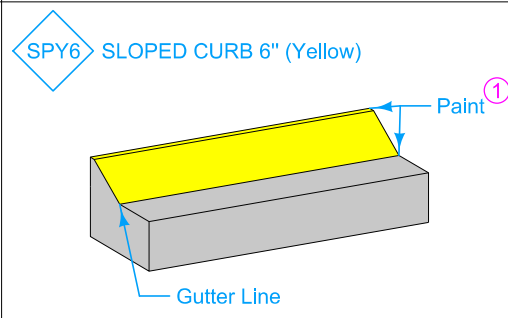
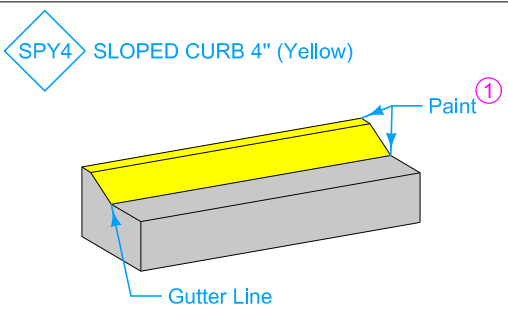
**CLW6** CROSSWALK LINE (White)



|   |               |          |
|---|---------------|----------|
| <p>Iowa Department of Transportation</p>  | REVISION      |          |
|   | 1             | 04-16-13 |
| <b>STANDARD ROAD PLAN</b>   | <b>PM-110</b> |          |
| SHEET 2 of 3  |               |          |
| <small>REVISIONS: Added details for Edge Lines on ramps to page 1. Added details for Median Nose to page 3.</small> |               |          |
| <i>Deanna Macfild</i><br><small>APPROVED BY DESIGN METHODS ENGINEER</small>   |               |          |
| <b>LINE TYPES</b>   |               |          |



① Apply paint from back of curb to gutter line.



|   |               |
|---|---------------|
| <p>Iowa Department of Transportation</p>  | REVISION      |
|   | 1   04-16-13  |
| <b>STANDARD ROAD PLAN</b>   | <b>PM-110</b> |
| SHEET 3 of 3  |               |
| <small>REVISIONS: Added details for Edge Lines on ramps to page 1. Added details for Median Nose to page 3.</small> |               |
| <p>APPROVED BY DESIGN METHODS ENGINEER</p>  |               |

LINE TYPES