

JOHNSON CO.
BRIDGE NEW-CCS
BRF-001-5(117)--38-52

LETTING DATE
 OCT. 15, 2019



Highway Division

PLANS OF PROPOSED IMPROVEMENT ON THE

PRIMARY ROAD SYSTEM
JOHNSON COUNTY
 BRIDGE NEW-CCS

Old Mans Creek Overflow 0.8 mi S of Co Rd F52

SCALES: As Noted

Refer to the Proposal Form for list of applicable specifications.

Value Engineering Saves. Refer to Article 1105.14 of the Specifications.



REVISIONS

TOTAL

17

PROJECT IDENTIFICATION NUMBER

15-52-001-010-02

PROJECT NUMBER

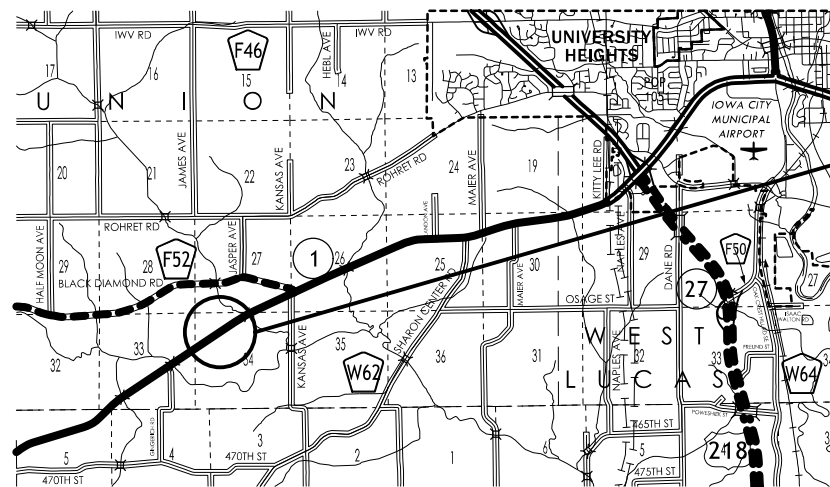
BRF-001-5(117)--38-52

R.O.W. PROJECT NUMBER

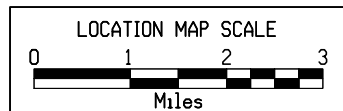
NHSN-001-5(118)--2R-52

INDEX OF SHEETS

No.	DESCRIPTION
A Sheets	Title Sheets
A.1	Title Sheet & Location Map
B Sheets	Typical Cross Sections and Details
B.1 - 2	Typical Cross Sections and Details
D Sheets	Mainline Plan and Profile Sheets
* D.1	Plan & Profile Legend & Symbol Information Sheet
* D.2	IA 1
G Sheets	Survey Sheets
G.1 - 3	Reference Ties and Bench Marks
J Sheets	Traffic Control and Staging Sheets
* J.1	Traffic Control Plan & Staging Notes
* J.2	Detour Map and Details
W Sheets	Mainline Cross Sections
W.1 - 7	IA 1
	* Color Plan Sheets



Project Location (New Bridge)
 Maint. No.
 FHWA No.



CUT (ML) 1,600 CY
 FILL+30% (ML) 900 CY
 WASTE 700 CY

DATES:
 D5 PLAN - Date: FEB. 2, 2018
 D4 PLAN - Date: JUN. 18, 2019

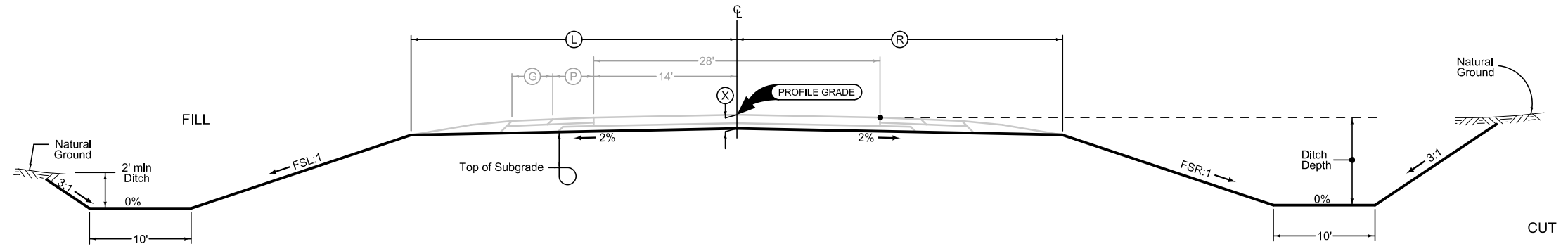
DESIGN DATA RURAL			
2018	AADT	7100	V.P.D.
2038	AADT	8200	V.P.D.
20--	DHV	--	V.P.H.
	TRUCKS	7	%
	Total		
	Design ESALs	--	

INDEX OF SEALS		
SHEET NO.	NAME	TYPE
A.1	Kelly C. Bell	Primary Signature Block

PRELIMINARY PLANS

Subject to change by final design.

D5 PLAN - Date: February 2, 2018



Normal section shown may be modified appropriately in areas of superelevated curves or other locations specifically designated by the Engineer.

See plan & profile sheets and cross sections for additional details of ditches and backslopes.

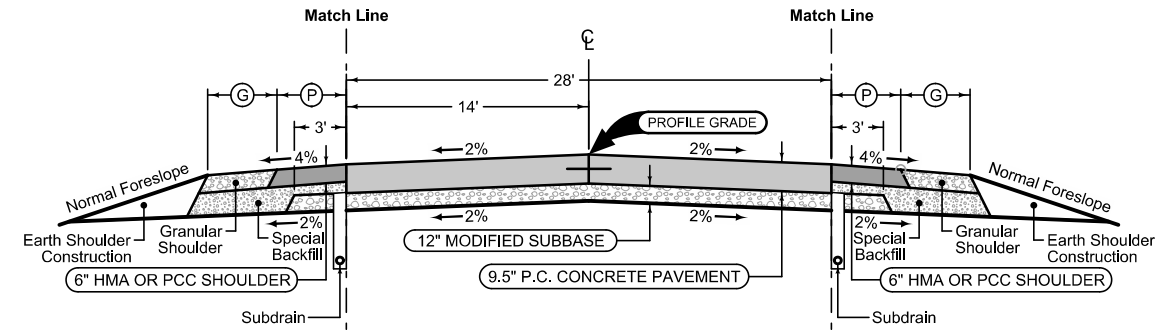
2 LANE GRADING

ROAD IDENTIFICATION	LOCATION		DIMENSIONS				
	STATION TO	STATION FROM	Ⓛ Feet	Ⓡ Feet	ⓧ Inches	ⓕ FSL	ⓕ FSR
IA 1	585+00.00	587+26.61	--	30.2	21.5	--	4:1
Bridge	587+26.61	588+76.61	--	--	--	--	--
IA 1	588+76.61	590+75.00	--	30.2	21.5	--	4:1
IA 1	590+75.00	591+00.00	--	30.2-31.7	21.5	--	4:1
IA 1	585+00.00	587+26.61	31.7	--	21.5	4:1	--
Bridge	587+26.61	588+76.61	--	--	--	--	--
IA 1	588+76.61	591+00.00	31.7-35.7	--	21.5	4:1	--

Combination Shoulder

Shoulder Jointing:
Longitudinal joint: B

STATION TO STATION		2_C_ 10-15-13	
		(P) Feet	(G) Feet
585+00.00	587+26.61	4.0	4.0
Bridge			
588+76.61	591+00.00	4.0	4.0



Combination Shoulder

Shoulder Jointing:
Longitudinal joint: B

STATION TO STATION		2_C_ 10-15-13	
		(P) Feet	(G) Feet
585+00.00	587+26.61	4.0	4.0
Bridge			
588+76.61	591+00.00	4.0	4.0

Mainline Jointing:
Transverse joints: CD at 20' spacing
Longitudinal joint: L-2

STATION TO STATION		2P_ 10-19-10	
585+00.00	587+26.61		
Bridge			
588+76.61	591+00.00		

See Tab 100-24 or 100-25 for pavement quantities.
See Tab 112-9 for shoulder quantities.

Iowa Highway 1

SURVEY SYMBOLS

- * TEV Evergreen Tree
- SIGN SI Sign
- OUT Tile Outlet
- TP TPD Telephone Pedestal
- TDC Tree Deciduous
- TSB TSB Telephone Switch Box
- EB EB Electrical Box
- ⊕ SEP Septic Tank
- ⊗ WEL Well
- ⊕ LP L.P. Tank
- ⊕ CIS Cistern
- ⊕ MH Utility Access (Manhole)
- ⊕ PR Electric Riser Pole
- ⊕ SHR Shrub
- ⊕ WH WHD Water Hydrant
- STP Stump
- x — FW Wire Fence
- x — FWD Wood Fence
- TLNR Tree Line Right
- TLNL Tree Line Left
- # FCL Chain Link and Security Fence
- GDL Guard Rail Steel
- D Centerline Draw or Stream (Down)
- BNK Stream Bank
- DU Centerline Draw or Stream (Up)
- EW Edge of Water
- RIP Rip-Rap

UTILITY LEGEND

- F0 - Kalona Cooperative Telephone
- T1 - Sharon Telephone Company
- F02 - ICN
- Eastern Iowa REC

PLAN VIEW COLOR LEGEND OF PLAN AND PROFILE SHEETS

LINEWORK	Design Color No.	
Green	(2)	Existing Topographic Features and Labels
Blue	(1)	Proposed Alignment, Stationing, Tic Marks, and Alignment Annotation
Magenta	(5)	Existing Utilities
SHADING		
	Design Color No.	
Yellow	(4)	Highlight for Critical Notes or Features
Red	(3)	Delineates Restricted Areas
Lavender	(9)	Temporary Pavement Shading
Gray, Light	(48)	Proposed Pavement Shading
Gray, Med	(80)	Proposed Granular Shading
Gray, Dark	(112)	Proposed Grade and Pave Shading "In conjunction with a paving project"
Brown, Light	(236)	Grading Shading
Tan	(8)	Proposed Sidewalk Shading
Blue, Light	(230)	Proposed Sidewalk Landing Shading
Pink	(11)	Proposed Sidewalk Ramp Shading

PROFILE VIEW COLOR LEGEND OF PLAN AND PROFILE SHEETS

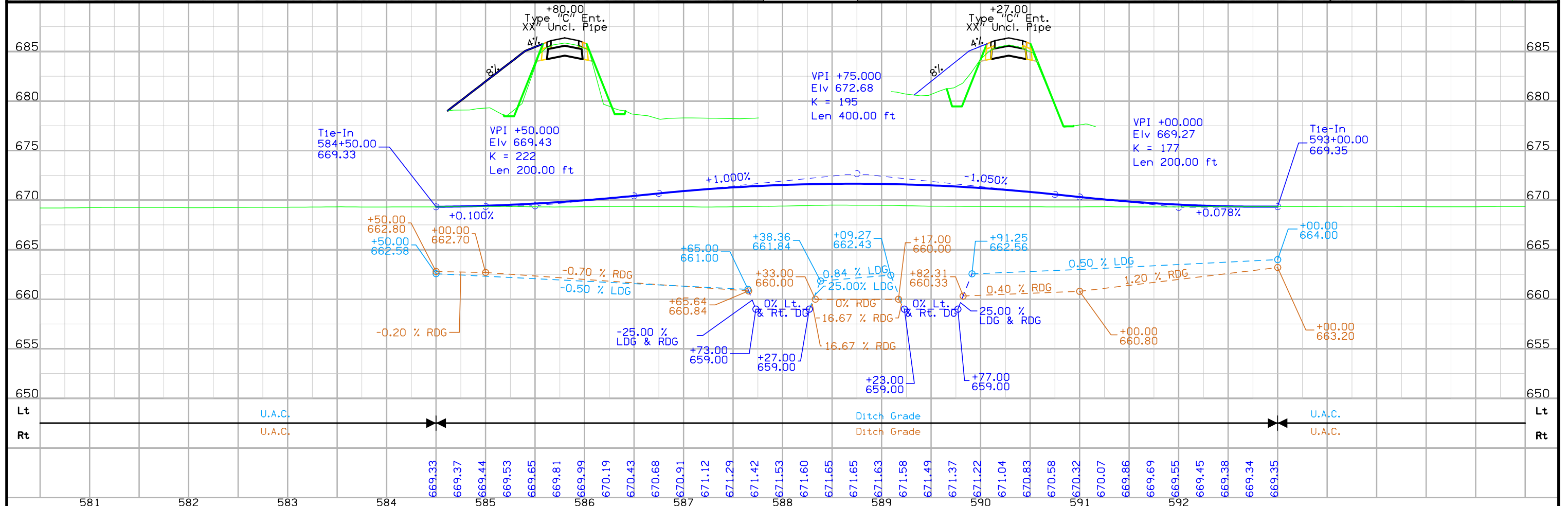
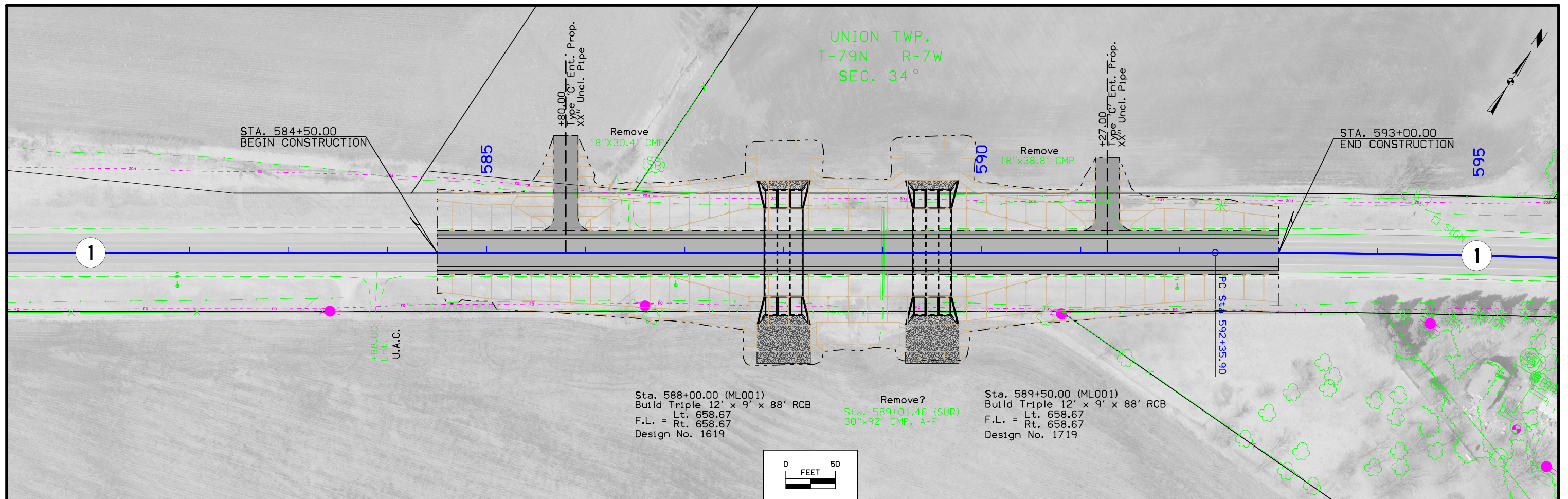
LINEWORK	Design Color No.	
Green	(2)	Existing Ground Line Profile
Blue	(1)	Proposed Profile and Annotation
Magenta	(5)	Existing Utilities
Blue, Light	(230)	Proposed Ditch Grades, Left
Black	(0)	Proposed Ditch Grades, Median
Rust	(14)	Proposed Ditch Grades, Right

- Reference Point
- Station
- Survey Line
- Section Corner
- Ground Line Intercept
- Saw Cut
- Guardrail
- Trench Drain
- HighTension Cable Guardrail
- Sheet Pile
- Pavement Removal
- Clearing & Grubbing Area

RIGHT-OF-WAY LEGEND

- Proposed Right-of-Way
- Existing Right of Way
- Existing and Proposed Right-of-Way
- Easement and Existing Right-of-Way
- Easement (Temporary)
- Easement
- Access Control
- Property Line

**PLAN AND PROFILE
 LEGEND AND SYMBOL
 INFORMATION SHEET**
 (COVERS SHEET SERIES D)



Survey Information

Johnson County
BRF-001-5(104)--38-52
HWY 1 Bridge over Old Womans Creek
PIN 13-52-001-030
Sap-0834

General Information

Measurement units for this survey are US survey feet. This survey is a Bridge survey for unspecified reasons along state highway 1 over Old Woman Creek. Project datum and control information is provided by Design Survey Office. This project is a full DTM with Photo control. The road was resurfaced during the time that the survey was being done. The new asphalt, shoulders, and guardrails were surveyed and mapped.

Vertical Control

Vertical datum for this survey is NAVD88 (Computed using Geoid12A). Benchmarks were placed throughout the project using post processed static observations relative to Pts. 1 and Johnson County Pt. 220. A minimum of 6hrs of data was simultaneously collected on each of these primary control points.

This survey observed 1 Johnson County Control Monument with published NAVD88 Geoid03 heights to compare to local ground control:
Point name 220 Elev. of 758.49'
Survey Elev. = 758.46'

Horizontal Control

The project coordinate system for this survey is Modified Iowa State Plane South Zone (U.S. Survey Feet). This survey control is relative to IaRTN reference stations. IaRTN Reference Station coordinates are relative to the National Reference Station network datum: NAD83 (2011) for Epoch 2010.00.

The project coordinate system is modified from Iowa State Plane South at project point 1 project coordinates of N= 591605.026, E= 2144428.984 (US ft.) All project points are scaled about this point using a scale factor of 1.000052919307.

Additional control points were placed throughout the project using post processed static observations relative to Pts. 1 and 2. A minimum of 6hrs of data was simultaneously collected on each point.

Alignment Information

The horizontal alignment for this survey is a retrace of As-built Plans No. F-9(7). Survey stationing was equated to the plan PI at STA 601+20.70 and run back and ahead without equation throughout the survey.

Survey stationing relates to as built plan stationing as follows:

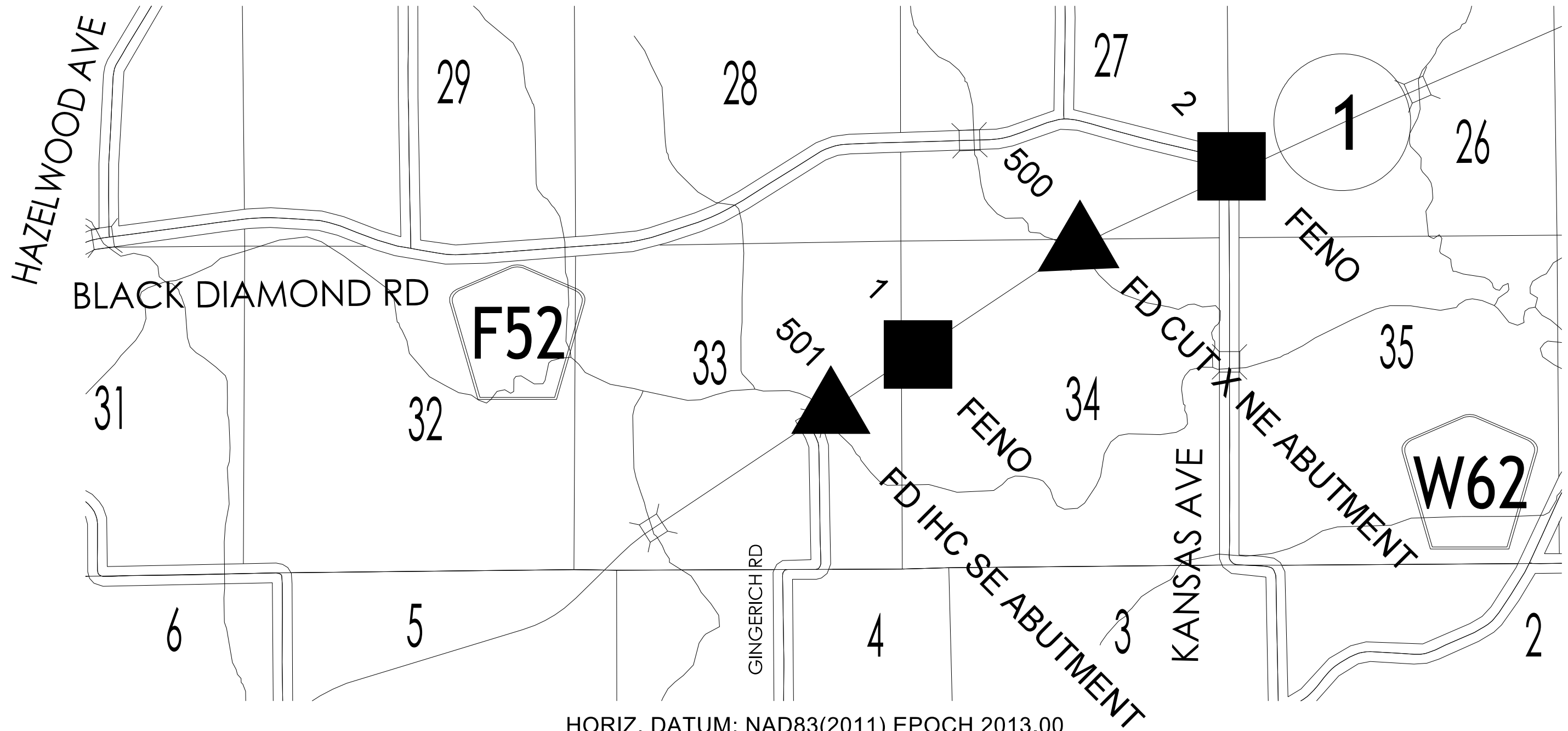
PC Sta. 592+33.1 As-built Plans Project No. F-9(7)
Survey PC Sta. 592+33.63

PI Sta 601+20.7As-built Plans Project No. F-9(7)
Survey PI STA 601+20.70

PT Sta 610+04.8 As-built Plans Project No. F-9(7)
Survey PT STA 610+04.22

CONTROL POINT VICINITY MAP

This map is a guide to the vicinity of the primary project control points
 Primary control is for use with RTK base stations and for RTN validation.
 Future surveys will use primary project control to establish temporary control as needed for construction or other surveying applications.



HORIZ. DATUM: NAD83(2011) EPOCH 2013.00

VERT. DATUM: NAVD88

State Plane South

Coordinate listing from next sheet will be used with laRTN for monument recovery. No other reference ties are given.

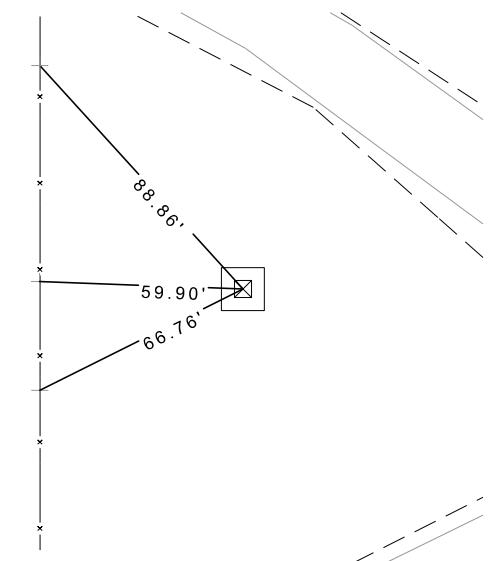
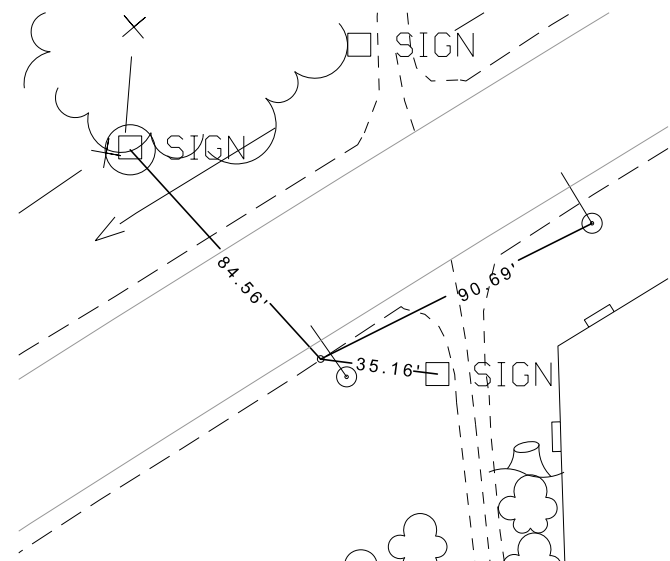
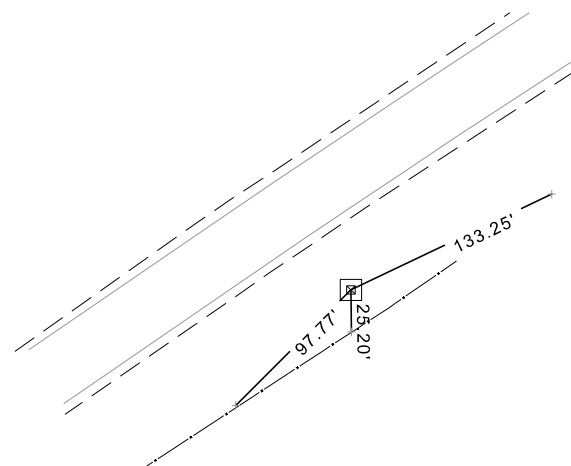
HORIZONTAL AND VERTICAL PROJECT CONTROL COORDINATE LISTING

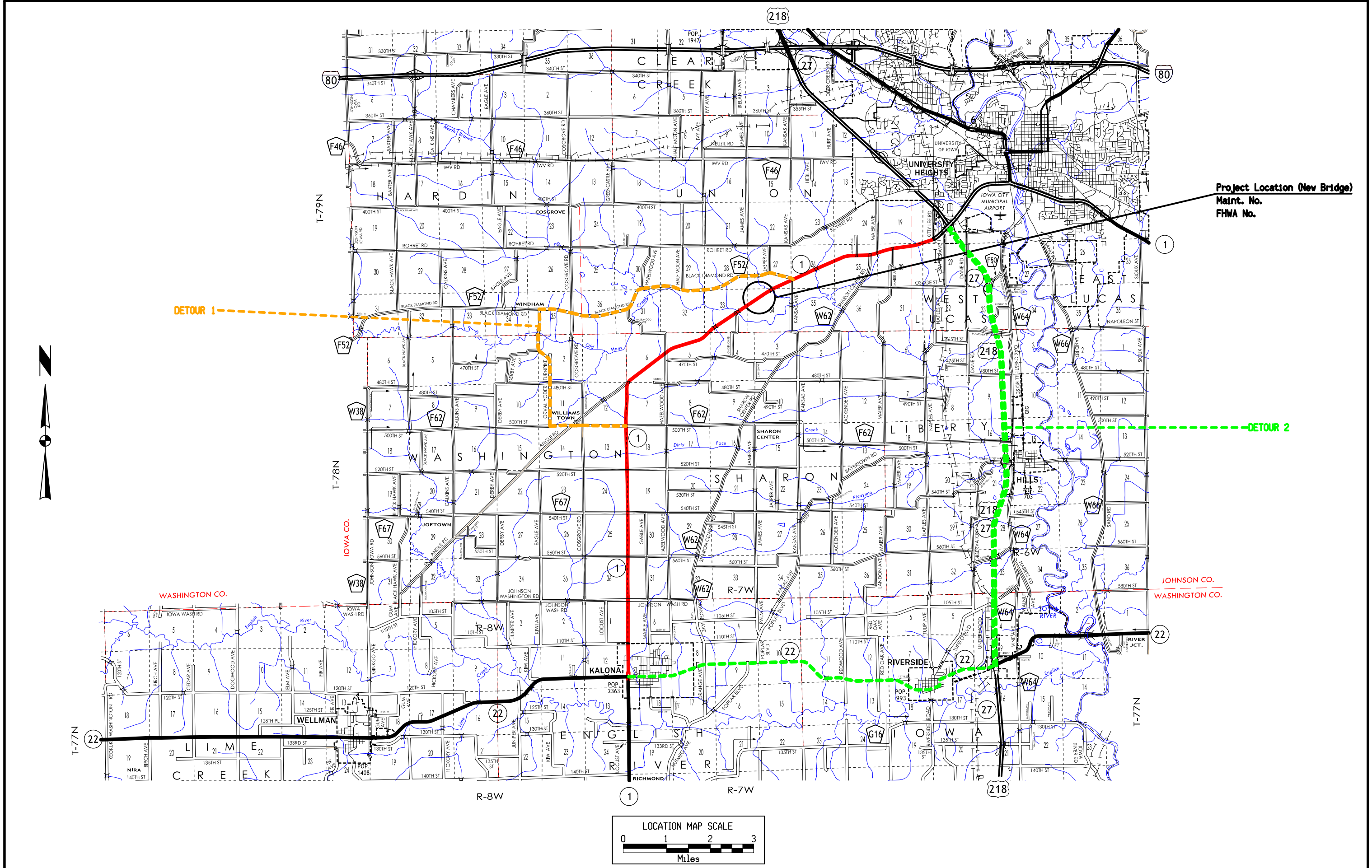
HORIZ. DATUM: NAD83(2011) EPOCH 2013.00

VERT. DATUM: NAVD88

State Plane South

Point	North	East	Elevation	Station	Offset	Feature	Description
500	593363.0570	2147036.0450	672.5017	602+41.35	-17.0362	BM	FD CUT X NE ABUTMENT
501	590696.5287	2143025.4910	673.2497	Off Chain	Off Chain	BM	FD IHC SE ABUTMENT



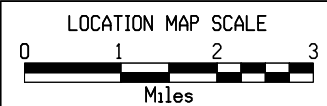


Project Location (New Bridge)
 Maint. No.
 FHWA No.

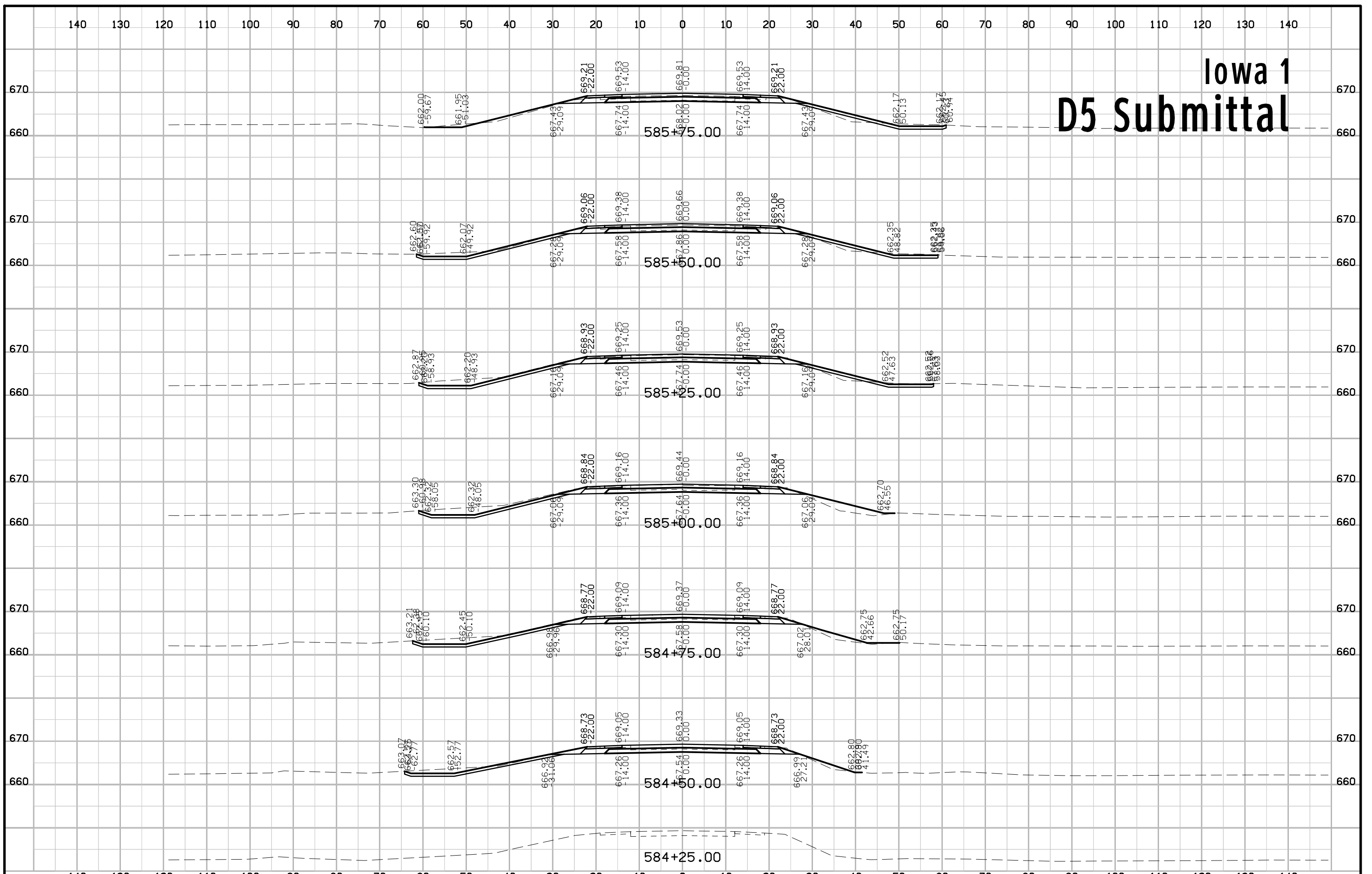
DETOUR 1

DETOUR 2

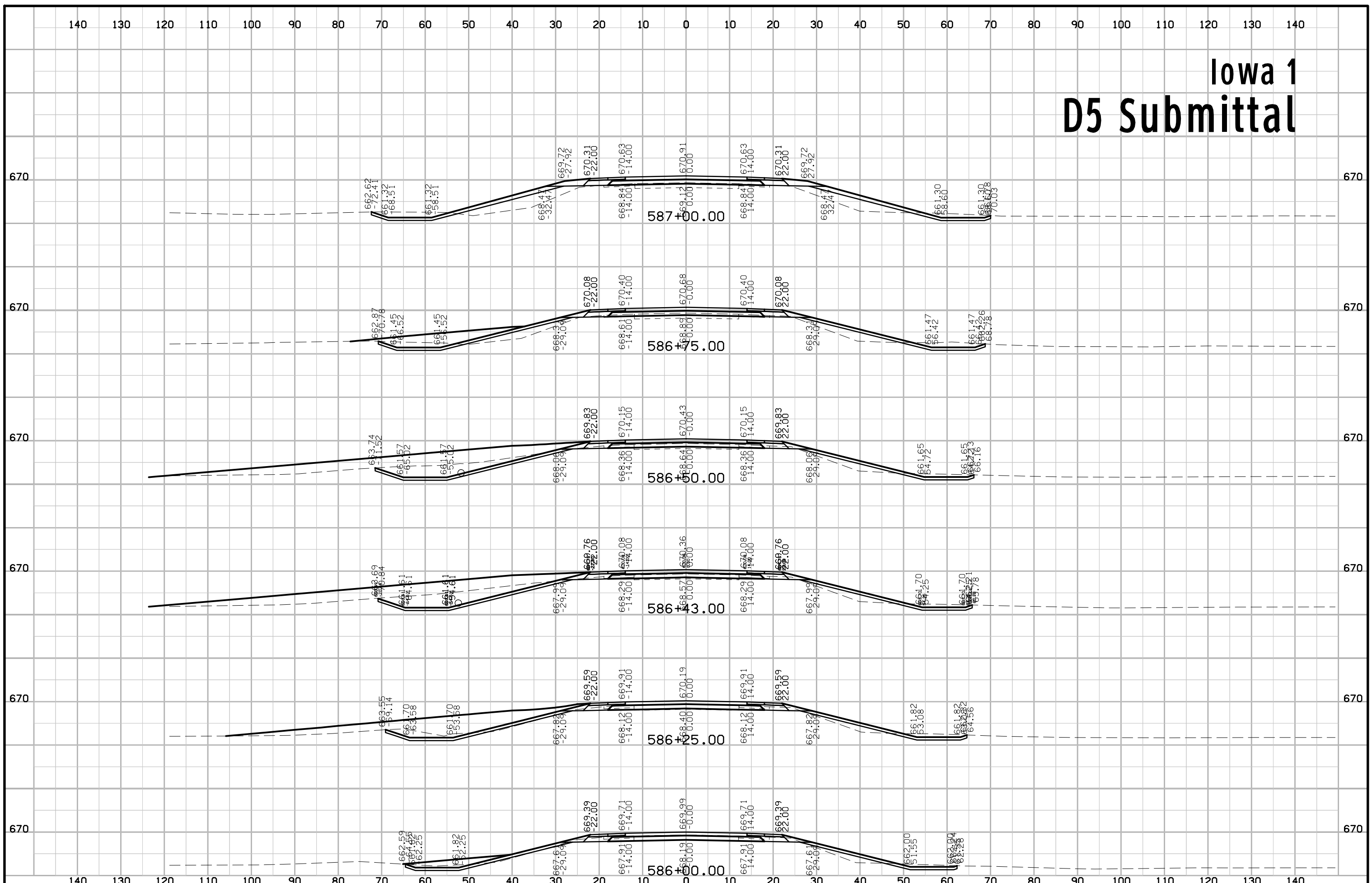
JOHNSON CO.
 WASHINGTON CO.



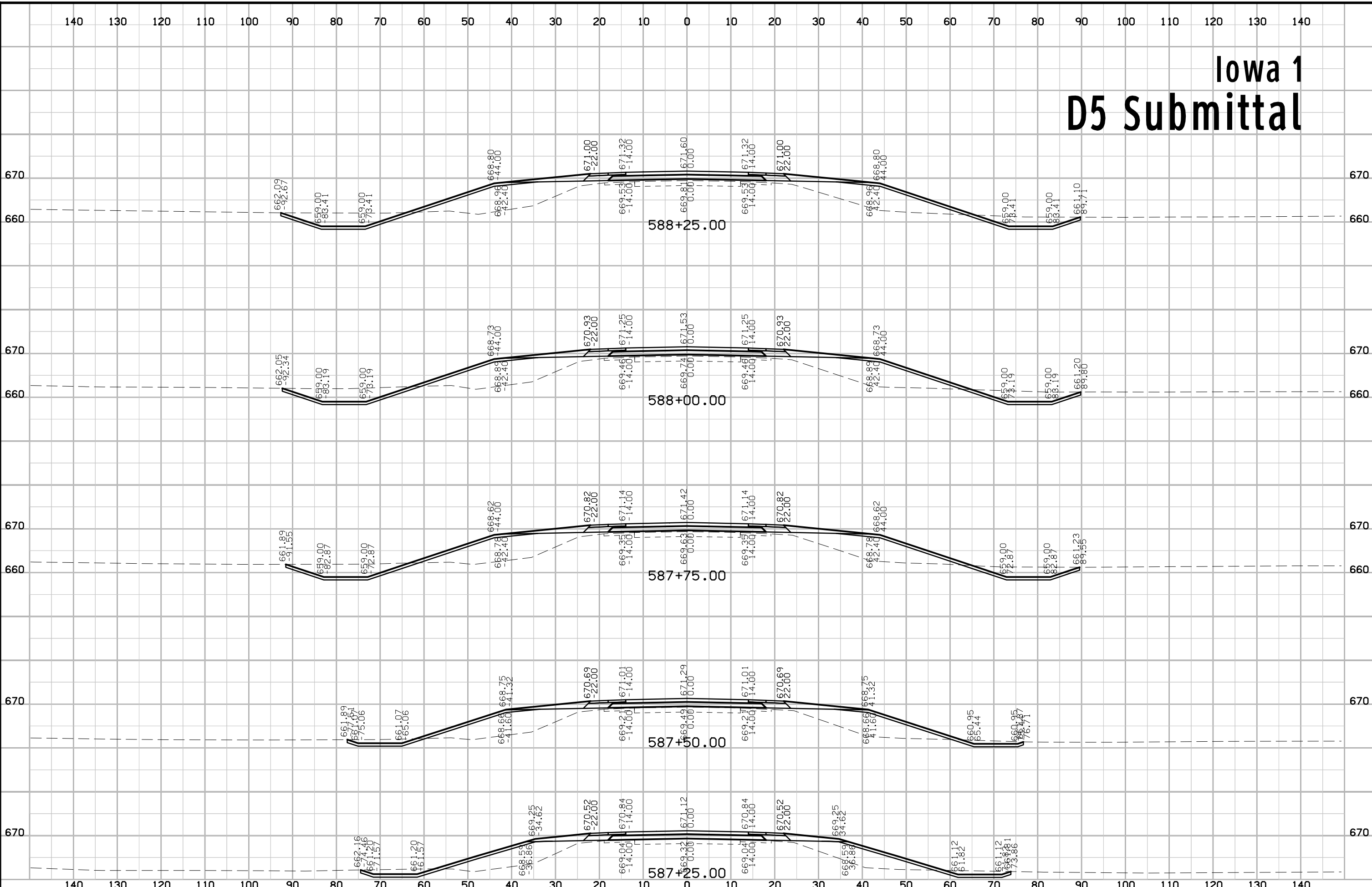
Iowa 1 D5 Submittal



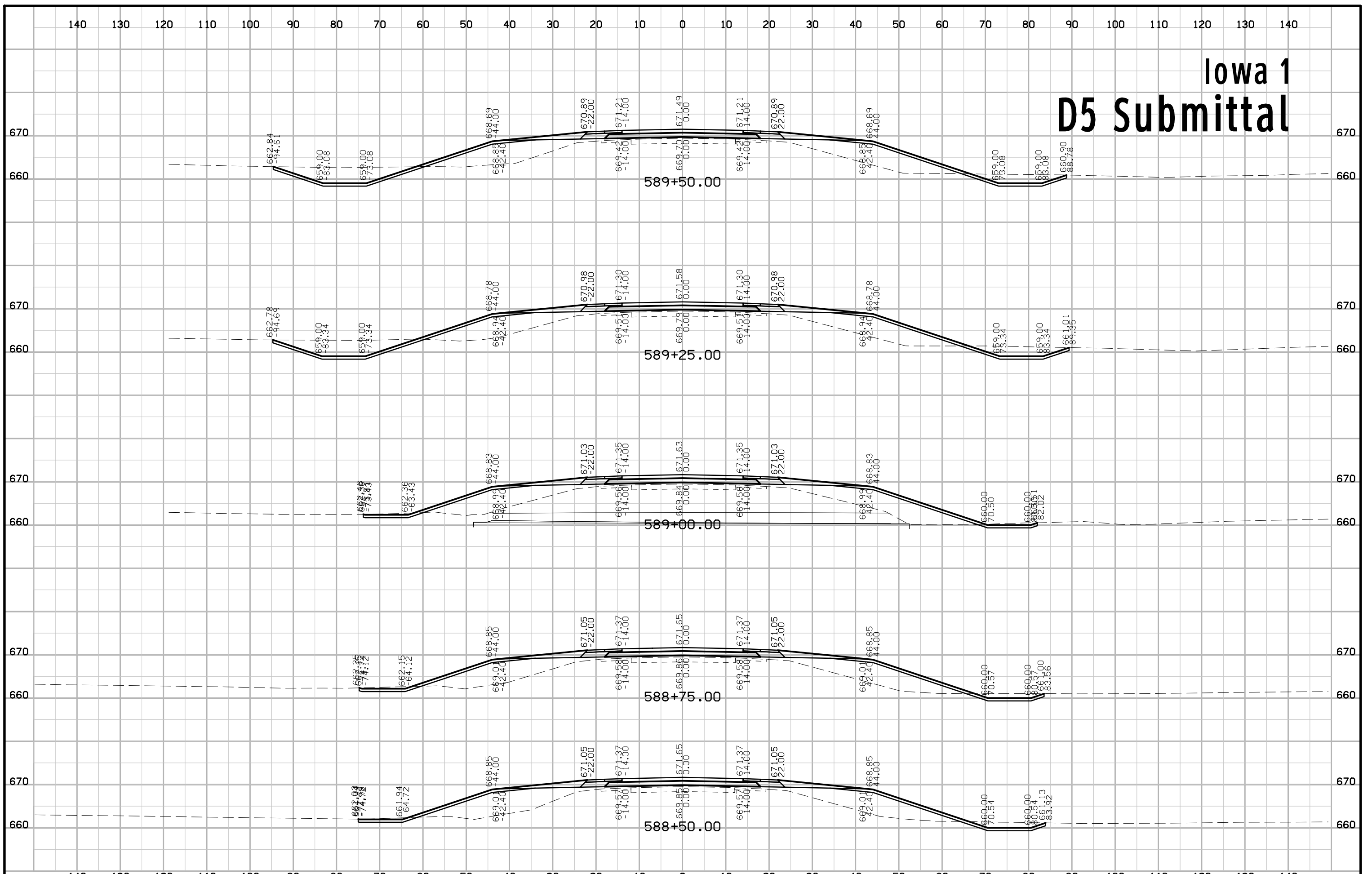
Iowa 1 D5 Submittal



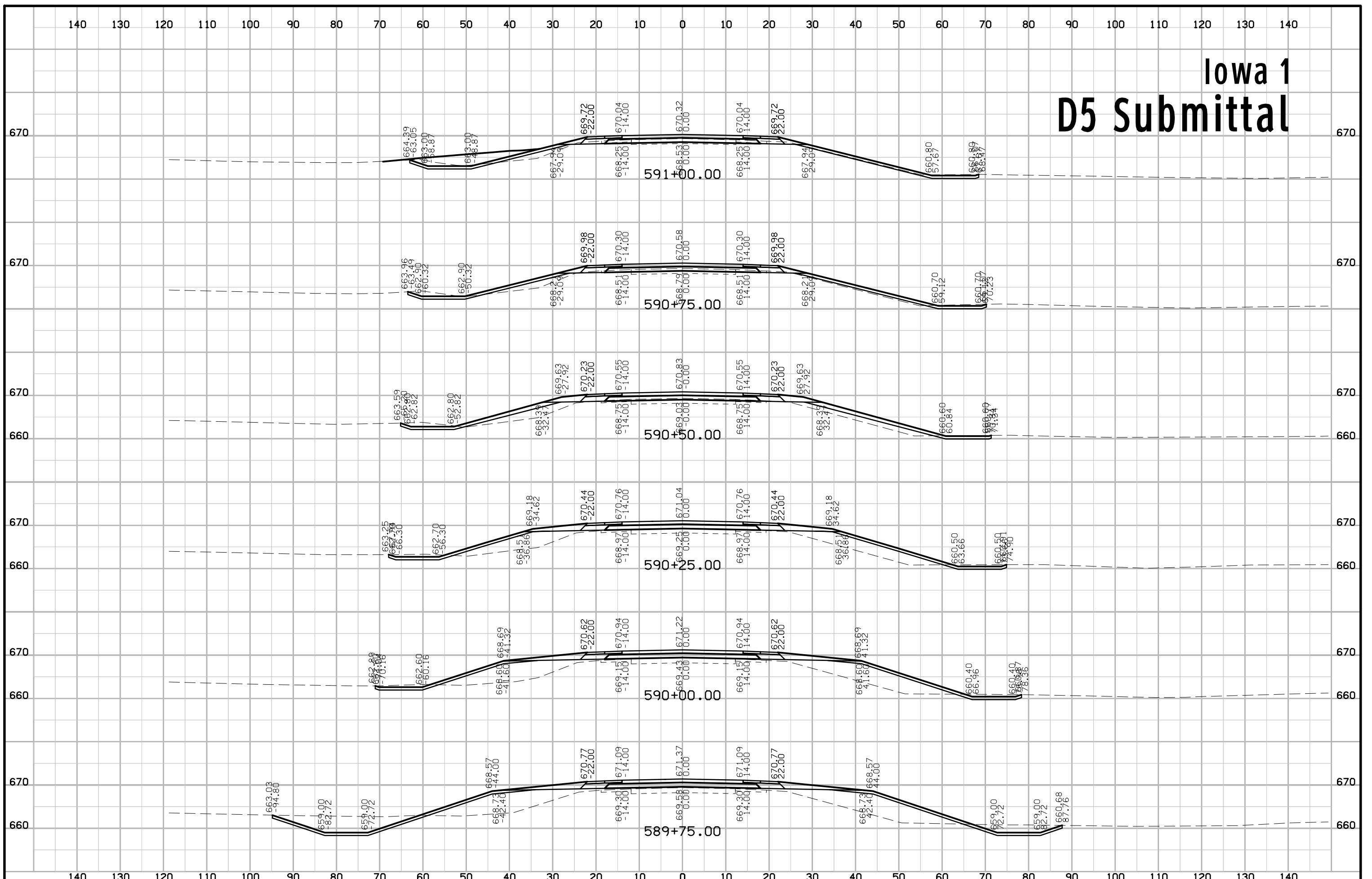
Iowa 1 D5 Submittal



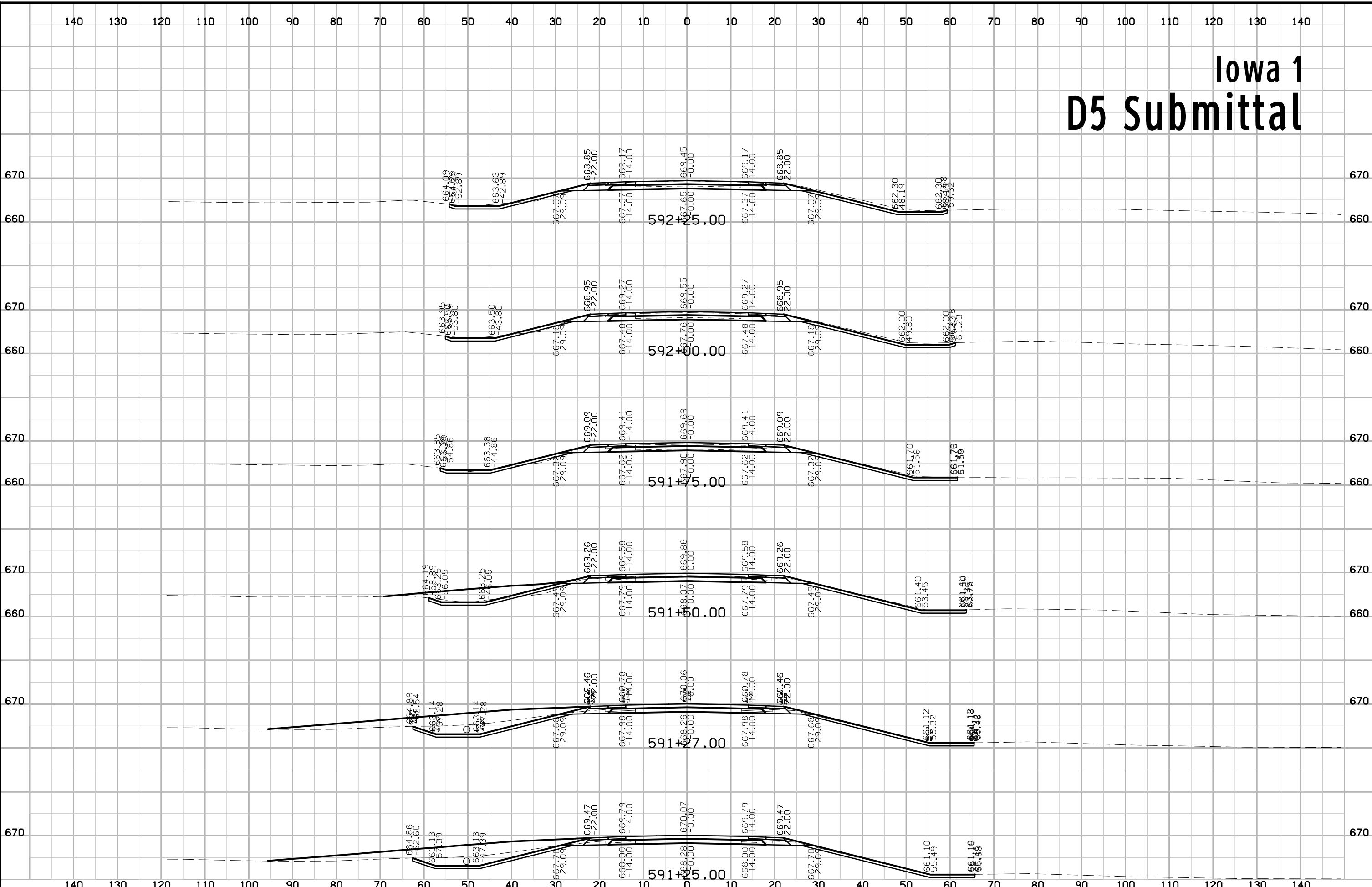
Iowa 1 D5 Submittal



Iowa 1 D5 Submittal



Iowa 1 D5 Submittal



Iowa 1 D5 Submittal

